

700 - TIJ

Compact smart printer

The IZI-CODE 700 Series Thermal Ink Jet (TIJ) printer range is the ultimate solution for primary package coding and marking across a range of industries including food, healthcare and many others.

Unmatchable connectivity

The IZI-CODE 700 printers' operation and monitoring maybe done using the touchscreen terminal or via a web browser: our clients can choose their preferred controller and terminal platform, whether a PC, a notebook or a mobile phone.



700 SERIES IZI-CODE

The IZI-CODE 700 Series is a compact and powerful printer with a unique attractive design that easily fits on production lines.

The small print heads can be integrated into most packaging systems.

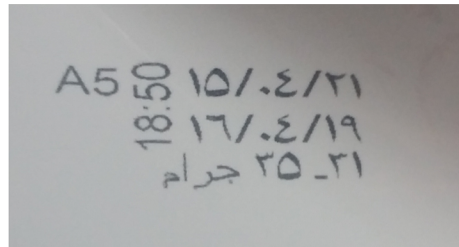
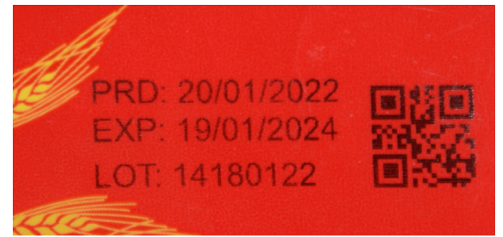
Operators can replace cartridges with minimal production downtime.



700 - TIJ

700 SERIES IZI-CODE

IZI-CODE leverages more than 30 years of experience to design inkjet marking and coding systems that meet even the most ambitious specifications. Our team has carefully selected the most talented partners worldwide to manufacture and assemble our products.

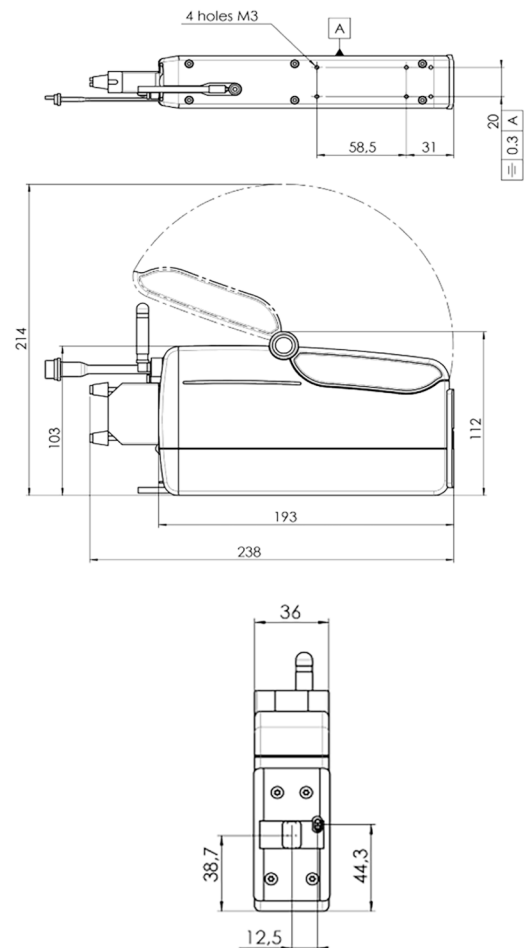


With the IZI-CODE 700 Series, you can achieve the highest quality text, 1D and 2D codes at high speed with resolution up to 600 dpi, and a wide range of fonts.

The IZI-CODE ink range provides optimal performance on most packaging materials.

Printer configurations			
	730	740	760
Number of print heads per system	1 printhead		multiple 730 / 740 printers
Vertical dpi	<600 dpi		
Horizontal dpi	From 50 to 900 dpi		
Printend height	1 mm to 12.7 mm		
Speed @ 300 dpi	< 180m/min		
Print image length	1m	3m	
Controller, UI, Connectivity, I/O			
Printer embedded UI	Local membrane keypad on printer (10 selectable messages)		
Controller	IZI-CODE 730/740 remote control via customer's smartphone, tablet, or PC		IZI-CODE 760 Terminal with 10-inch colour touchscreen
Controller remote UI			10" colour touchscreen terminal
USB	USB key for print data backup, transfer, firmware updates		
Communication port (wired)	Ethernet	Ethernet, RS232	
Communication port (wireless)	WiFi - IEEE 802. 11 b/g/n		
Print triggers	Integrated photo sensor, ext. Encoder and external photocell options		
I/Os	Programmable I/Os		
Alarm	Colour LED alarms on printer	Printer LEDs and IZI-CODE 760 Software	
Printing features			
Fonts	TTF Fonts. Other customized fonts may be added		
Variable text	50 counters, variable field, shift code, etc		
1D and 2D codes	N/A	most 1D and 2D code symbologies	
Graphics	Logos and graphics		
Software features			
Languages	English, French, German, Spanish, Portuguese, Korean, Arabic... other languages on demand		
User management (access)	User management / password protection		
Database	N/A	DataBase management	
Ink management	Automated ink management and printer set up		
Storage capacity in MB	Ink level alarm, Ink purge commands, spitting 700Mo		
Mechanical and Electrical			
Electrical (printer, terminal)	printer ext power supply 24V/1.25A	Terminal: 100-240VAC 60Hz, 1.4A max	
Weight	0.26 kg	1.2 kg	
Operating Temperature	5-45°C	5-40°C	
Dimensions (L x W x H)	Printer: 238 x 112 x 36 mm	Terminal: 255 x 169 x 33 mm	
Inks			
Ink cartridge	Smart 42ml cartridges		
Ink range	IZI-CODE ink range for porous and semi-porous substrates		

Drawings



CONTACT US
sales@atlaslaser.com / +33 7 87 15 76 90

www.izi-code.com

