

900 - CIJ

Unbeatable up-time!

Welcome to the world of IZI-CODE 900 series CIJ printers.

The ideal solution for your printing needs.

With an ultra-fast start-up cycle, our printers can be up and running in just a minute, enabling you to get your products coded and marked quickly and efficiently.

We reinvented simplicity!



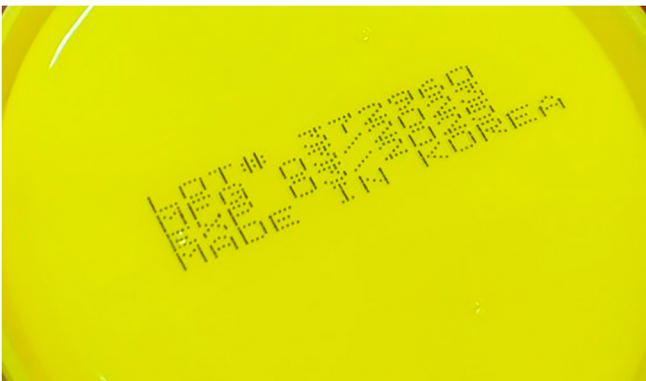
900 SERIES IZI-CODE

The 900 series CIJ printers embed revolutionary clean start / stop features that minimise operator's intervention.

They are easy to operate and maintain. Real-time smart monitoring enables remote diagnostics and maintenance, ensuring that your printer is always operating at peak performance.

The system features an intuitive colour touchscreen interface that requires minimal training. IZI-CODE 900 printers provide optimal print quality at different speeds.

The widest range of languages are available, making IZI-CODE 900 the obvious choice for small, medium and large businesses worldwide.



900 - CIJ

IZI-CODE

IZI-CODE leverages more than 30 years of experience to design inkjet marking and coding systems that meet even the most ambitious specifications. Our team has carefully selected the most talented partners worldwide to manufacture and assemble our products.



We care

Safety is a top priority: 900 series are designed to meet international safety regulations. Clients can choose between multiple fast-dry MEK-free ink formulations that preserve the environment.

Printer characteristics

Single print head
 Printing resolution 65DPI
 Up to 5 lines of print, Character height from 1.5mm to 10mm
 10.2" Colour Touch screen
 User-friendly control software featuring short-cut functions for efficient production, password protected access controls

Large selection of printable fonts and characters (European/American, Chinese, Korean...)

Prints cast before dates, Serial Numbers, Batch Codes, Bar Codes and other traceability information onto packaging and products

Wide range of date formats, shift code, 2 counters, 1D-2D codes

Mechanical & Electrical

Weight 21Kg
 3m flexible P/H conduit
 Stainless steel cabinet 304
 IP54 ingress protection
 No plant air required- optional air pump accessory

Operating temp 5-45°C

Humidity 10% to 90% non condensing

Electrical power 100-120 / 200-240 VAC at 50/60 Hz., 120 W

Features

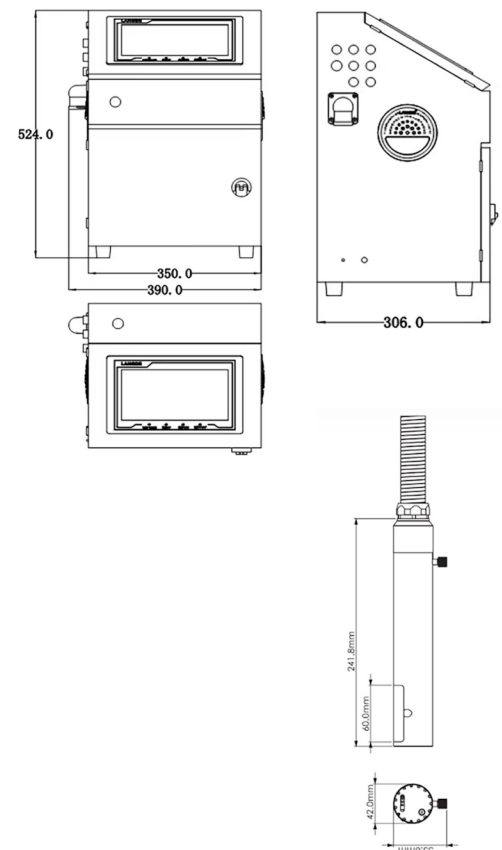
Unlimited message storage
 RS232 and RS485, Ethernet, SD Card and USB2.0. (*)
 Dynamic print control guarantees marking quality within temperature range
 Large selection of qualified inks, MEK-free "green" inks
 2 sealed intelligent level monitoring cartridges 750cc each, error free
 Languages: English, French, Spanish, Portuguese, Korean, Italian, Chinese (simplified/traditional), etc...

Printhead

60µm Nozzle, Drop Frequency 76.8kHz
 Integrated printhead valves: multiple clean start/stop functions
 Automatic drop speed and ink viscosity control, jet breakup servo-control
 Integrated window for fast and easy printhead maintenance

(*) Optional: IZI-CODE remote diagnostic and control software on PC

Drawings



CONTACT US

sales@atlaslaser.com / +33 7 87 15 76 90

www.izi-code.com

